

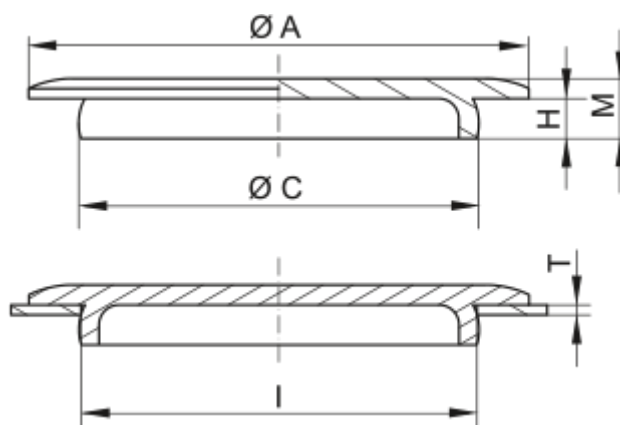
Data Sheet



Article number: 59GPN9100714

Description: KLEE Universal flat design GPN 910 - 61 (Wall thickness 1,5)

Measures



A = 68

C = 62

H = 4

I = 61

M = 5.8

T = 1.5